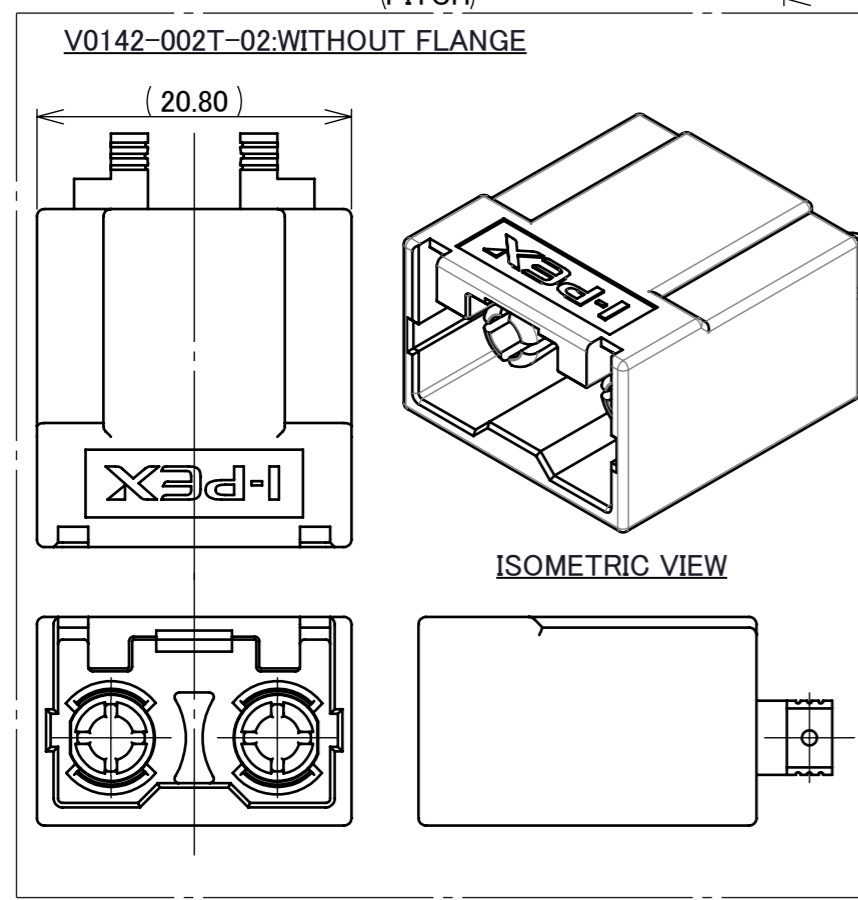
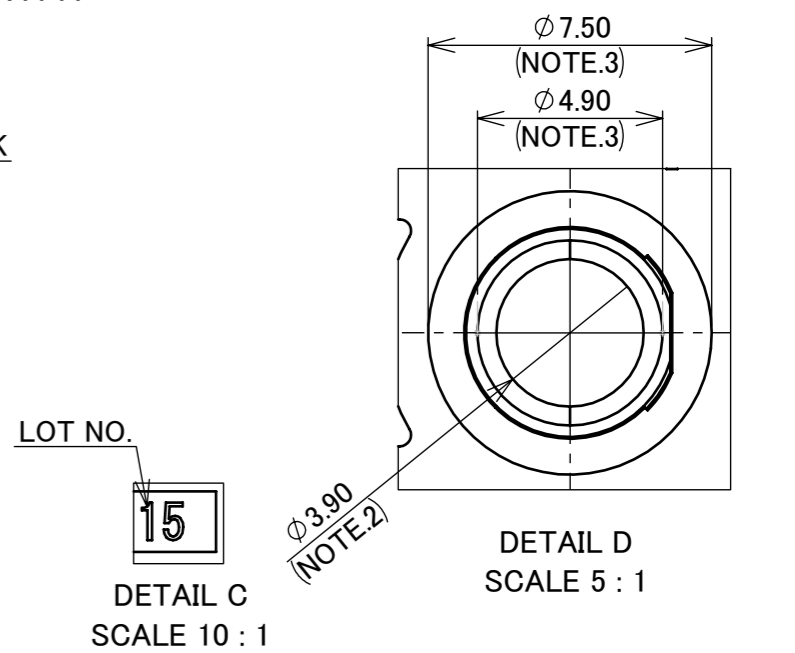
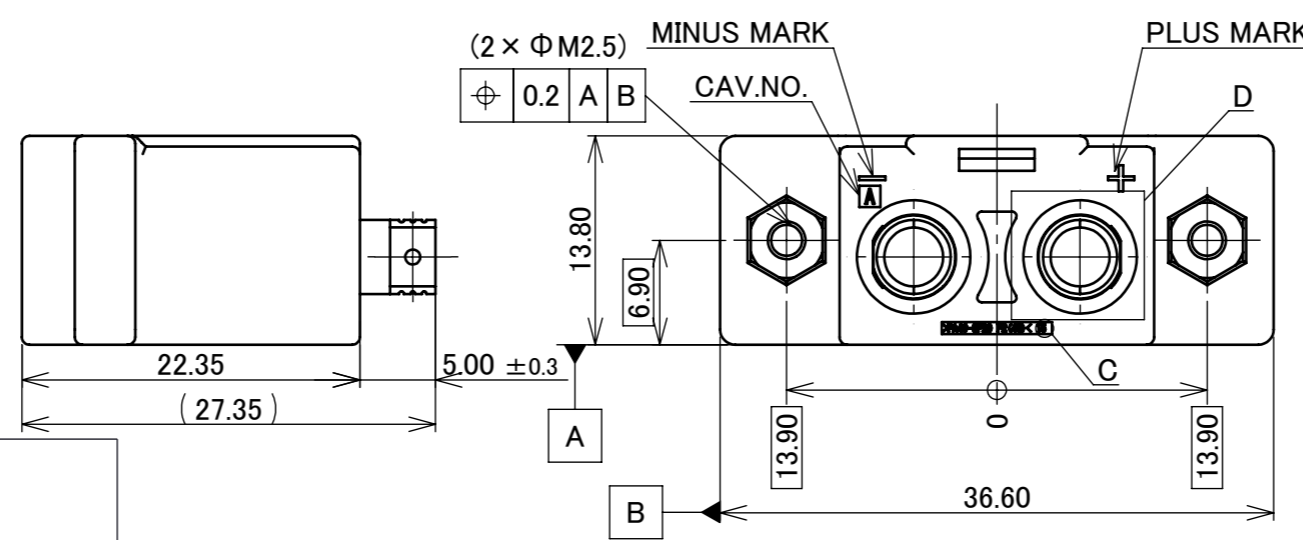
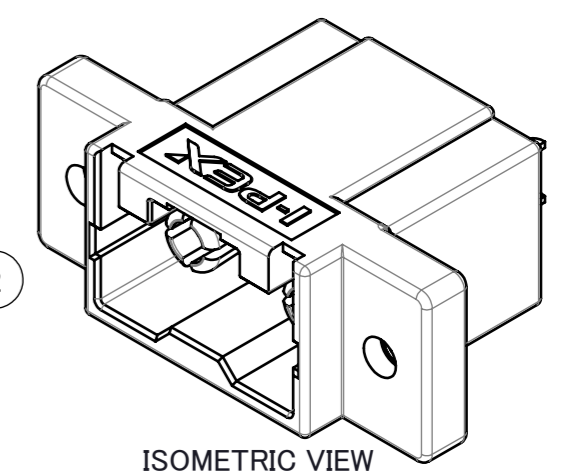
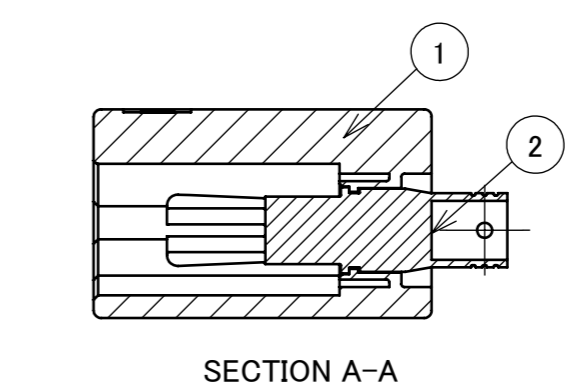
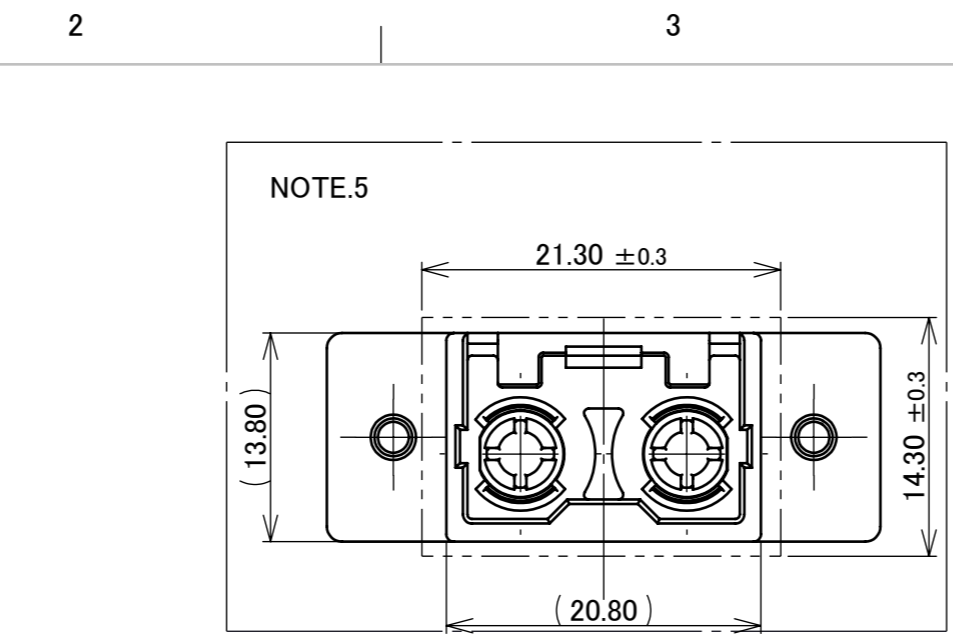
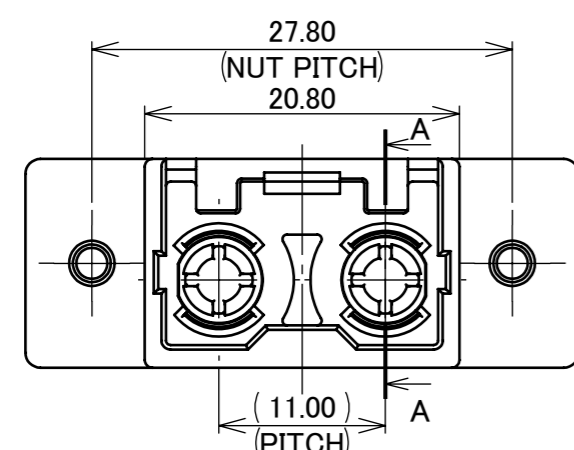
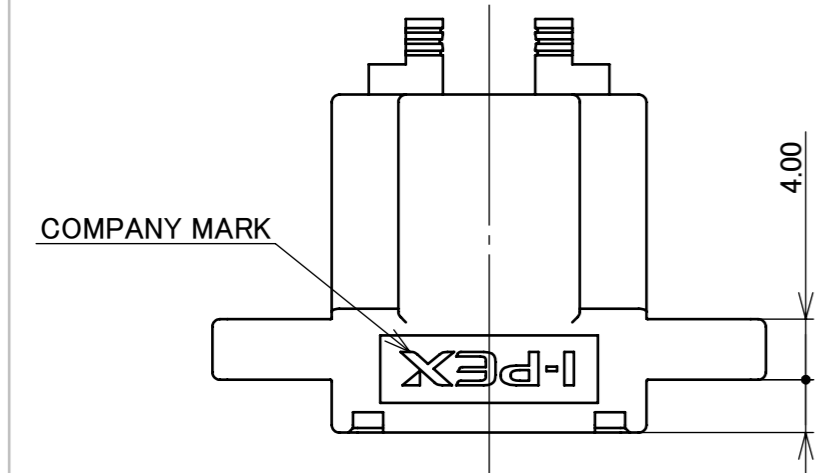


PART NO.	TYPE
V0142-002T-01	WITH FLANGE
V0142-002T-02	WITHOUT FLANGE



注記
 1. 嵌合相手品番: AV-B90 FEMALE CONNECTOR:V0143-91002-01
 2. 適用電線サイズ: AWG8~12(3.5sq~8.0sq)
 3. 適用熱収縮チューブ: Φ6~Φ7(呼称)
 4. RoHS,ELV適合品
 5. 取り付け部の幅寸法: 21.30±0.3 取り付け部の高さ寸法: 14.30±0.3

NOTE.
 1. MALTING WITH AV-B90 FEMALE CONNECTOR:V0143-91002-01
 2. APPLICABLE CABLE SIZE: AWG8~12(3.5sq~8.0sq)
 3. APPLICABLE HEAT SHRINK TUBE SIZE: Φ6~Φ7(DESIGNATION)
 4. COMPLY WITH RoHS,ELV
 5. WIDTH OF MOUNTING: 21.30±0.3 HEIGHT OF MOUNTING: 14.30±0.3

3	NUT	SUS	NUT SIZE:M2.5 (STYLE:3)
2	MALE TERMINAL	BRASS	Au PLATING
1	MALE HOUSING	PA	UL94 V-0
NO.	DESCRIPTION	MATERIAL	FINISH/COLOR/REMARKS

ANGLE	±2°	6 OVER 30 MAX.	±0.3	PROJECTION ⊕	SERIES No. -	CUSTOMER COPY
6 MAX.	±0.2	30 OVER 120 MAX.	±0.5			
GENERAL TOLERANCE. 120 OVER ±0.5%				TITLE AV-B90 CONNECTOR MALE CONNECTOR	SCALE 2:1	UNIT mm
DWG.	K. TANAKA		DATE Oct. /4/' 23			
CHK.	S. TOUNO		DATE Oct. /4/' 23	DWG. No. CV0142-002	SIZE A3	SHEET 1/1
REV.	ECN	BY	DATE			
REVISION RECORD				T. HIRAKAWA	Oct. /5/' 23	

QHIM-E1A001-09-A3C Rev.2

CONFIDENTIAL C

I-PEX Inc.