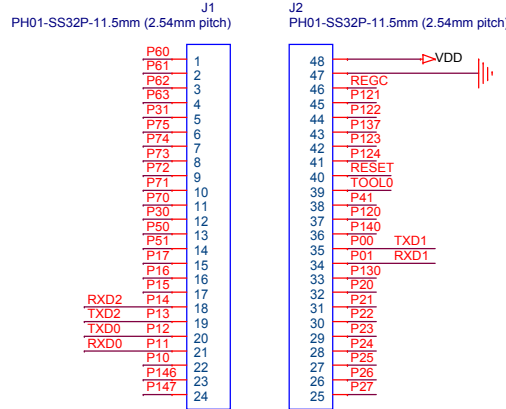
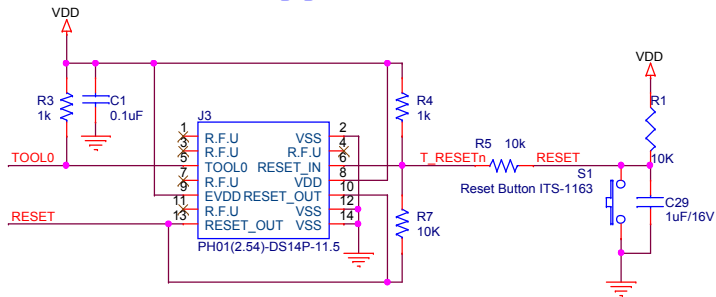
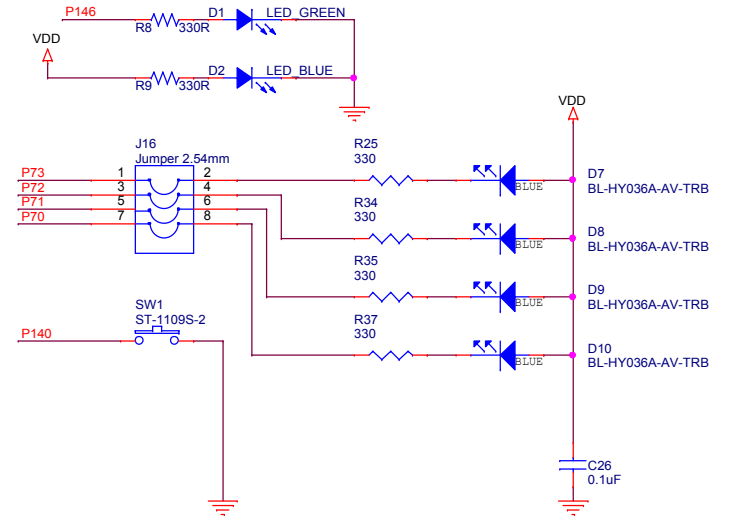


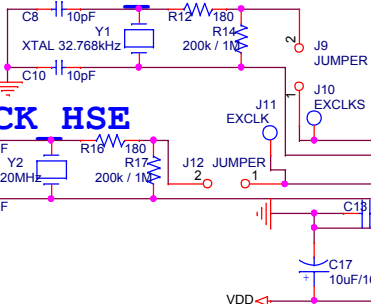
RESET & Debugger



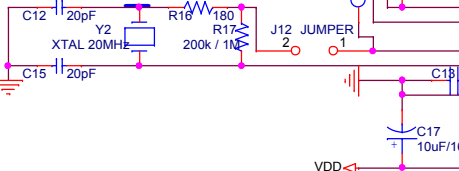
LED



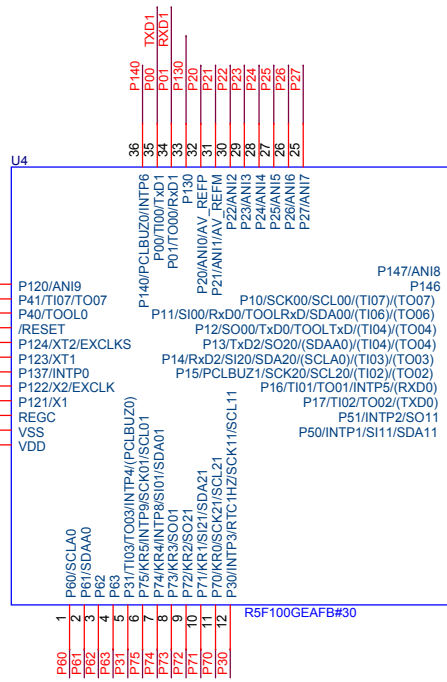
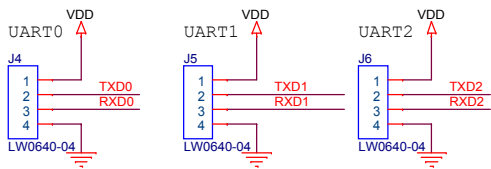
CLOCK LSE



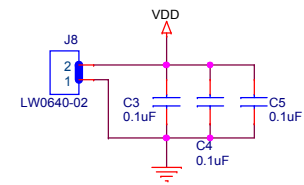
CLOCK HSE



UART



POWER



Title		
RM-RL78G13 V1.1		
Size	Document Number	Rev
B	NEWTC-2016081601	<RevCode>
Date:	Monday, March 13, 2017	Sheet 1 of 1