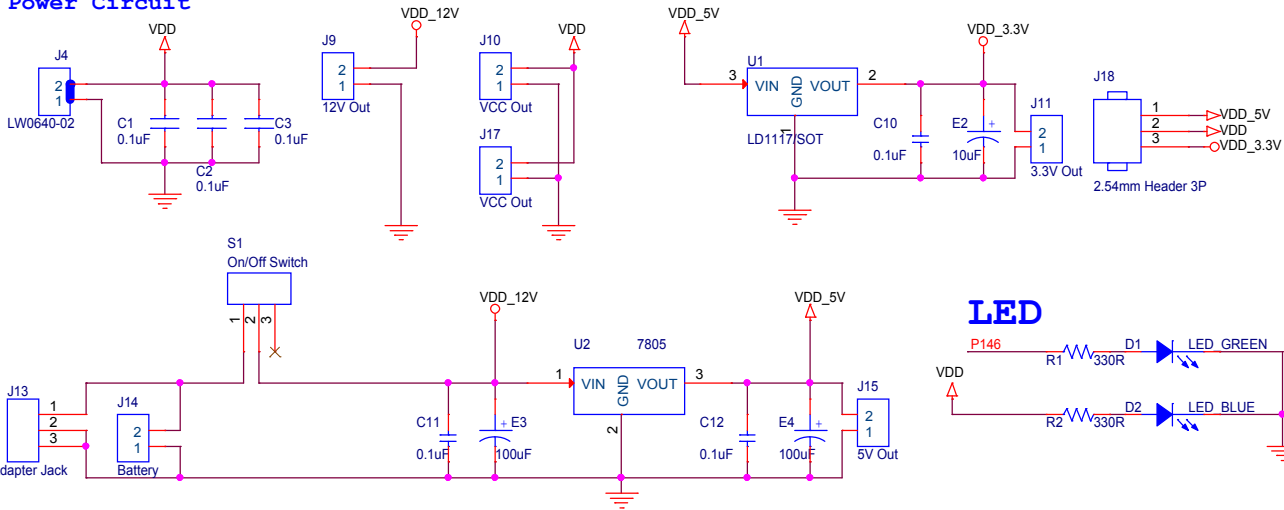
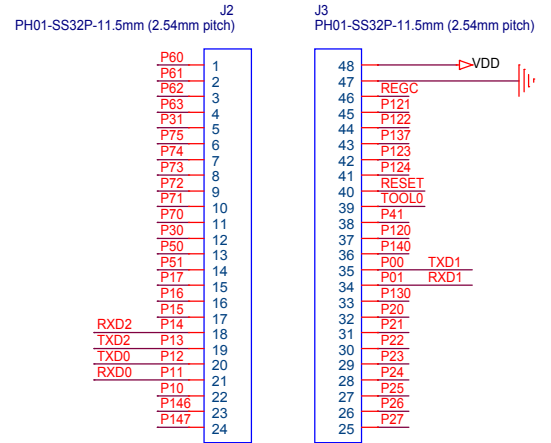
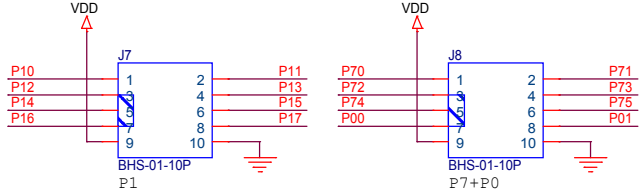
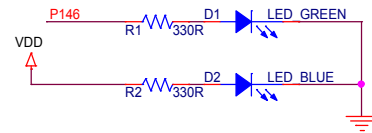


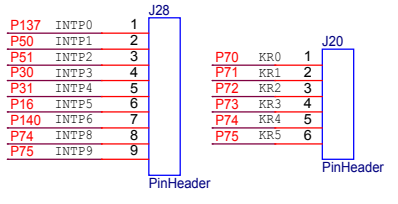
# Power Circuit



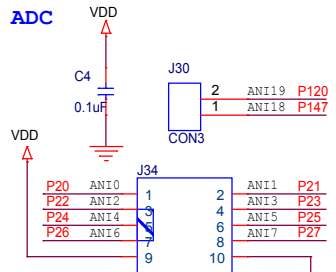
# LED



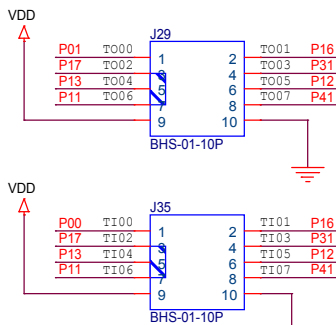
# Interrupt



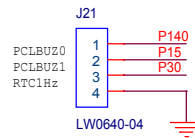
# ADC



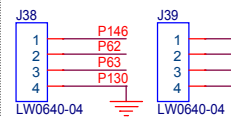
# Timer



# CLOCK OUTPUT

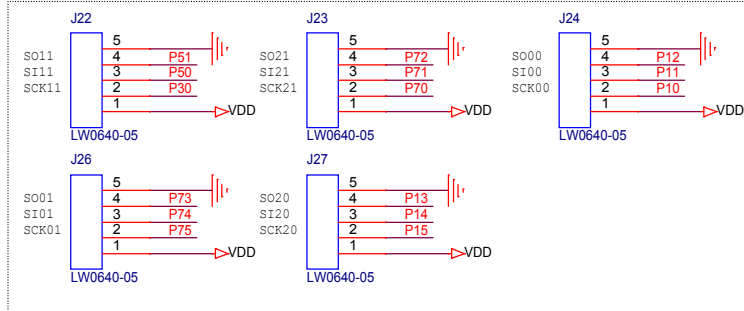


# EXTRA

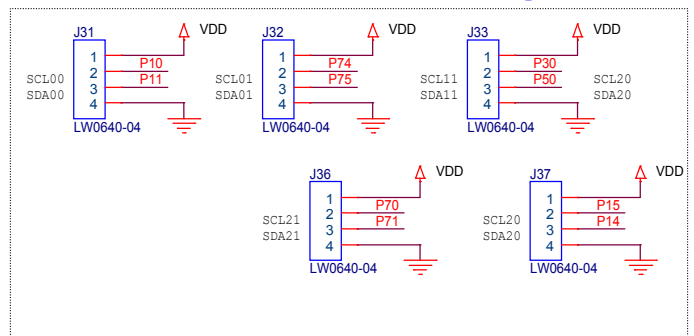


# COMMUNICATION

## 3-wire serial I/O



# Simplified I2C



Title		
RM-RL78-G13-MAIN V1.1		
Size	Document Number	Rev
Custom	NEWTC-20160816_02	<RevCode
Date:	Tuesday, September 13, 2016	Sheet 1 of 1