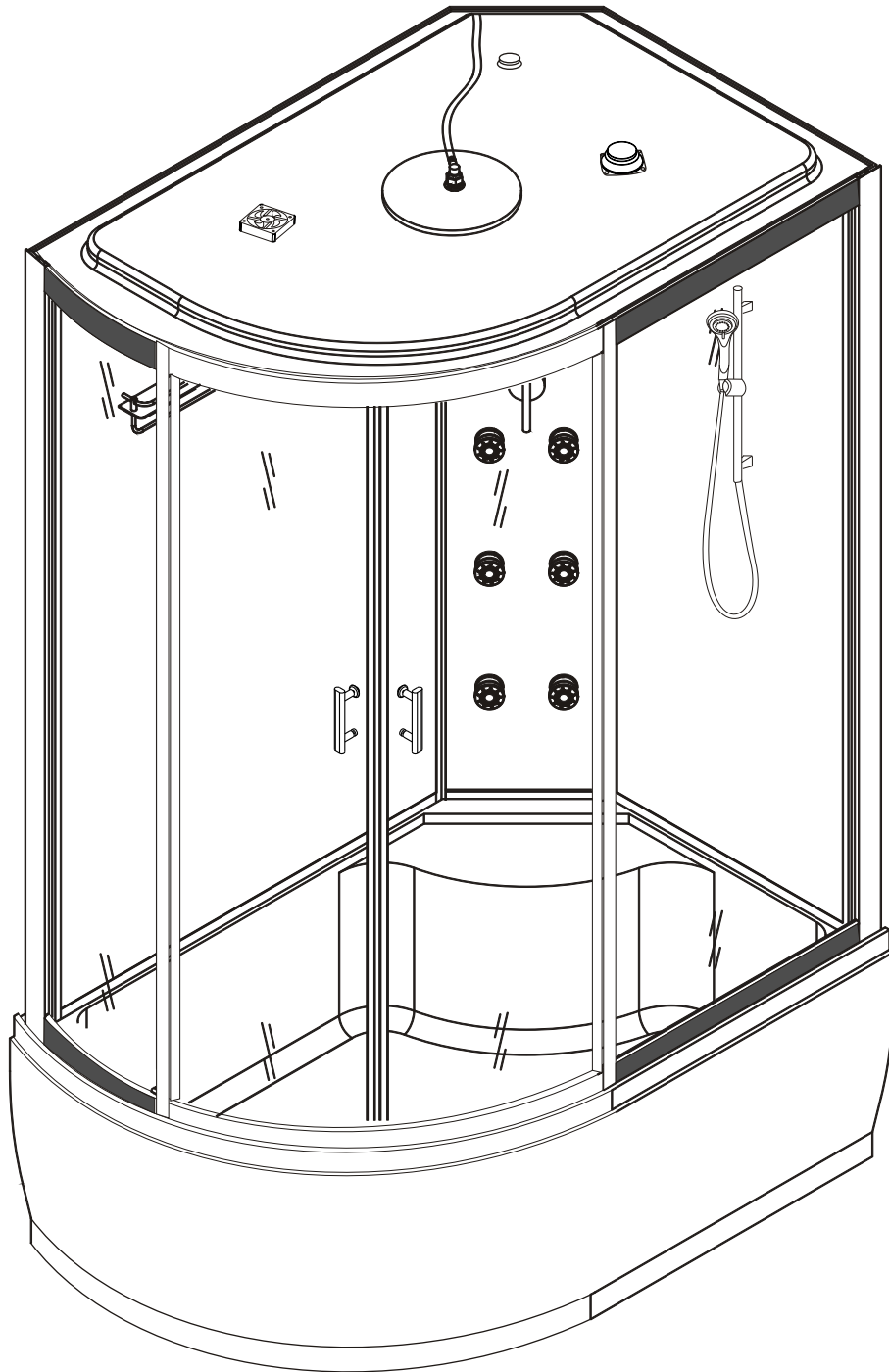
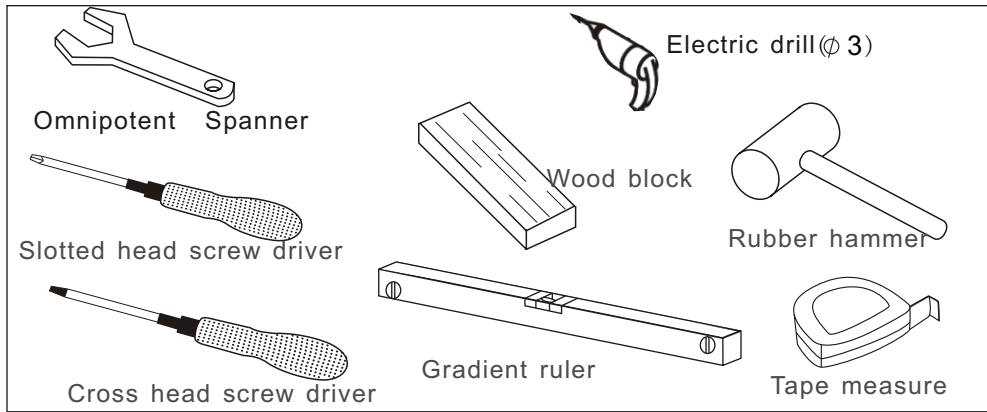


# Manual User



012

# INSTALL TOOL



# MATERIL DETAIL

